



Structure and use guidance

Lifting jack
 Type: KAL 275 hinged
 Art. No. 4031549 12373 4



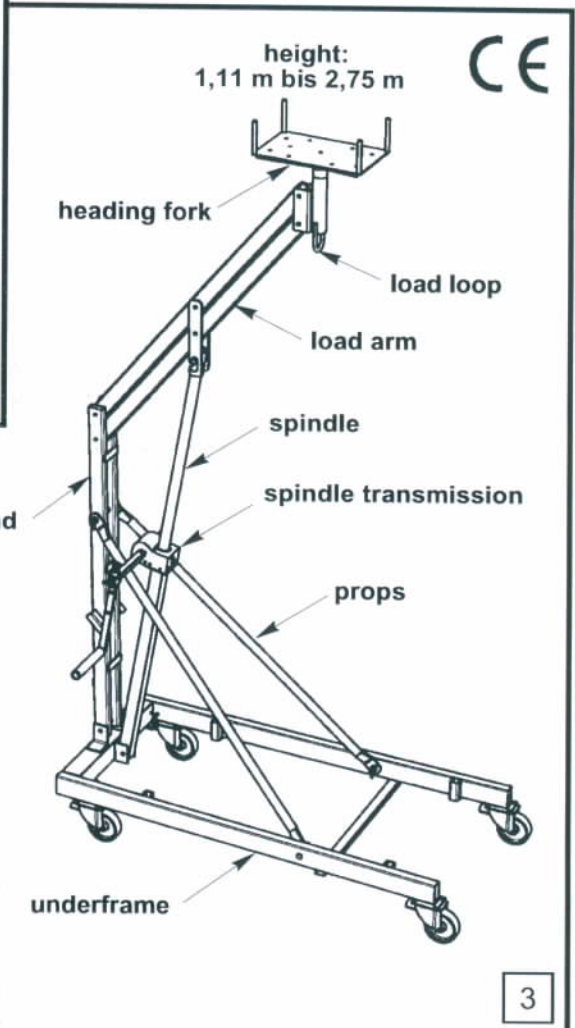
The lifting jack serves for lifting or lowering components and loads with assembly works on building sites. With the lifting jack e.g. steel girders or wood purlins can be millimeter-exactly aligned. The weight is turned up or down by means of crank within selflocking spindle transmission. The lifting jack is equipped with swivel rollers, so that the weight can be brought exactly into the correct position.

Technical data:

Height of heading fork.....:	1,10 m bis 2,75 m	dimensions	
with adapter.....:	1,36 m bis 3,00 m	(load arm down)	1,57 m x 0,73 m x 1,64 m
light mass heading fork	36 cm x 21 cm x 11,5 cm	weight completely.....:	86 kg
load-bearing capacity	600 kg	crank, adjustably.....:	Art.-Nr. 4031549 12361 1

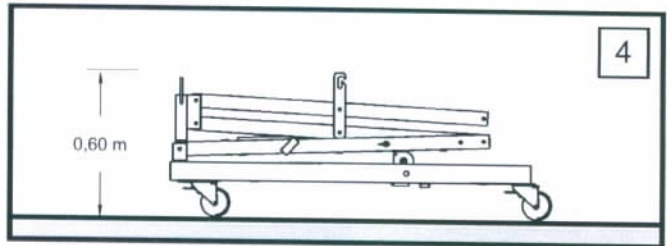
General note:

Only components in perfect status and original equipment may be used. The lifting jack is to be used only according to the intended purpose. The rules for the prevention of accidents are to be observed.

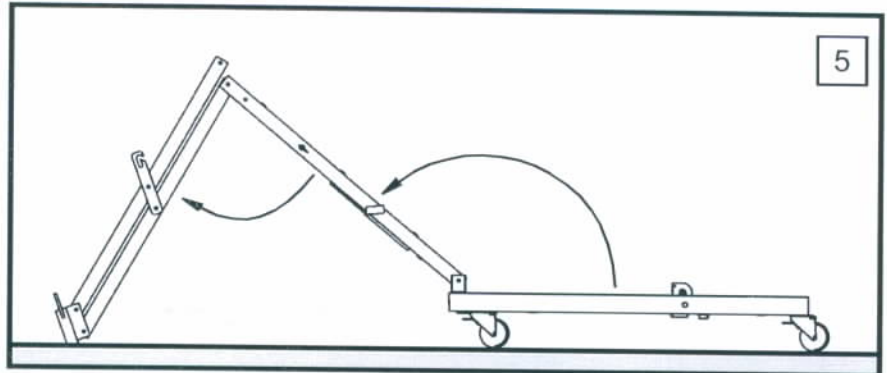


Building up the lifting jack:

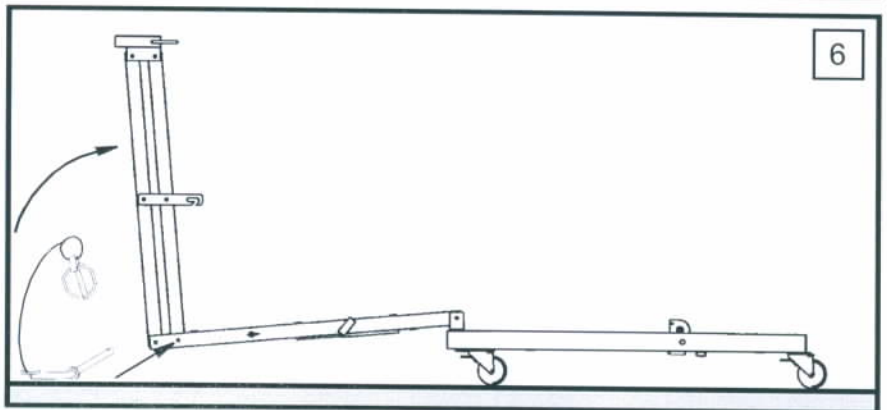
Lifting jack in the folded up status without plug-on handles.
Before building up all swivel rollers must be fixed with brakes.



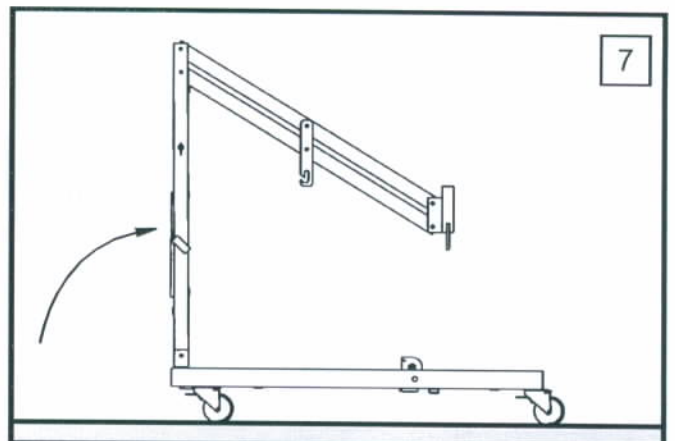
The load arms as well as the stand are folded up.



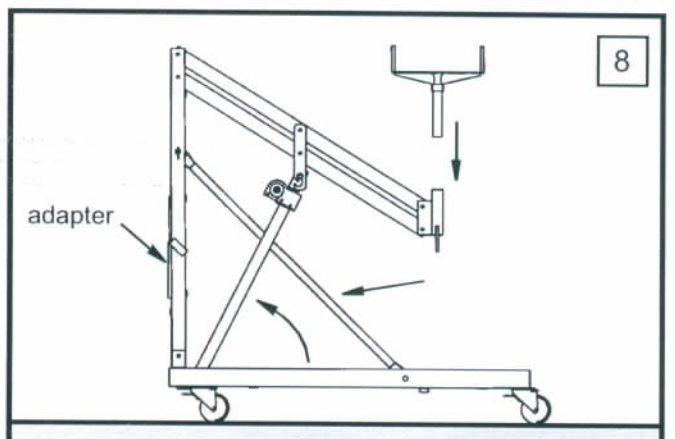
Subsequently, the load arm and the stand are connected with the locating pin.
The locating pin becomes secured with the quick lock pin.



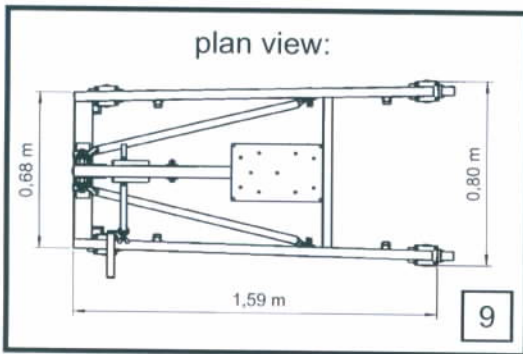
Now the set up ensues.



For reinforcement two props are put over the fork-bolt of the underframe and the stand.
Subsequently, the spindle is swivelled up and introduced to the slot accommodation of the lateral strap of the load arm.
Now the heading fork can be put in.
The lifting jack is ready for action.



The disassembly takes place in reverse succession.

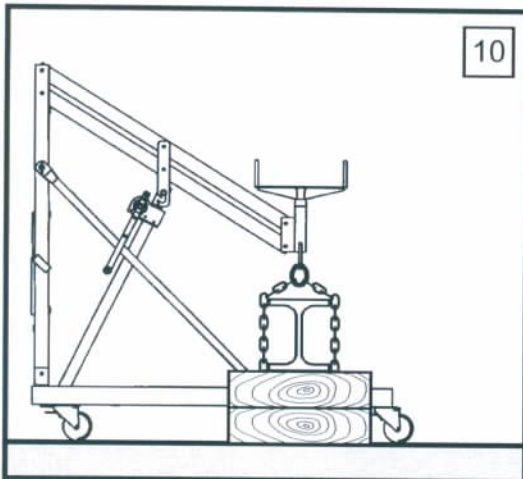


Use and operation:

The lifting jack may be set up only on horizontal-even, capable of foundation.
 The weight, e.g. a steel girder or a wood purlin, will be put on the lifting jack. The fixation can be made by drillings in the heading fork.
 Now the height is infinitely variable adjustable by cranking.

Important:

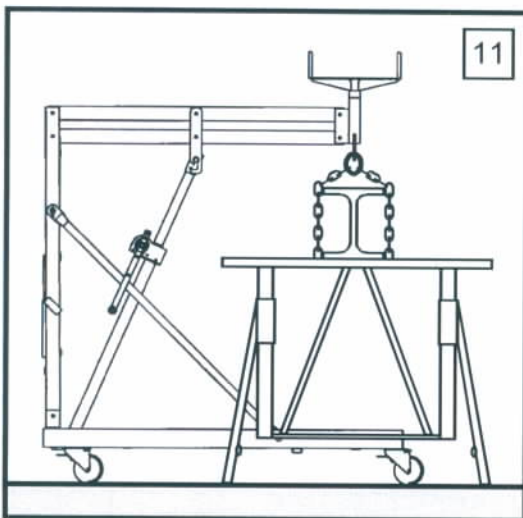
The weight which is put on the lifting jack must be parallel raised or lowered. After achieve the desired position the weight must be secured additional.



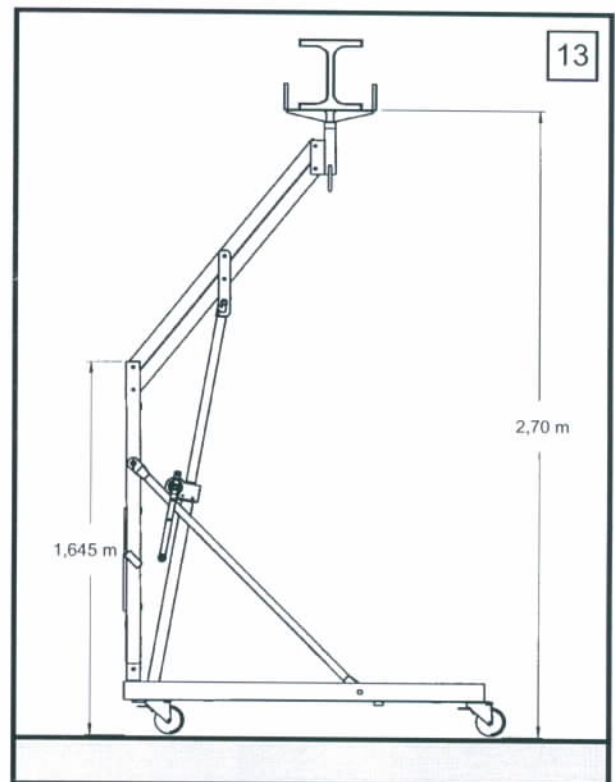
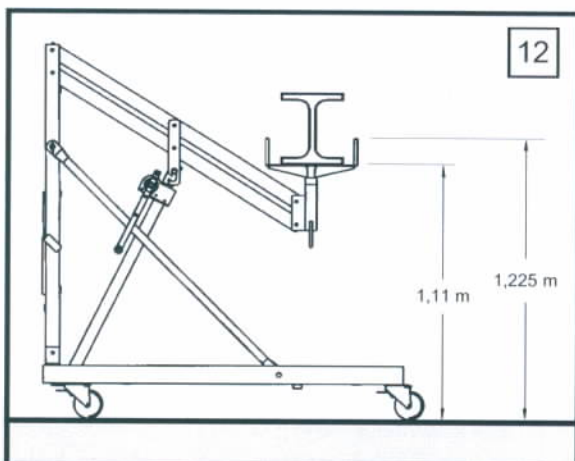
It is possible to fix a crank on both pages of the spindle transmission to the pitman.
 The crank of the lifting jack is adjustable in the length, so it can be turned under weight with a long lever arm.
 For fast turning up or down a short lever arm is adjusted.

Take up a weight:

A weight e.g. a steel girder is situated on square timbers.
 The underframe of the lifting jack must be put below the carrier.
 With slinging chains or ropes the carrier is fixed to the load loop of the lifting jack.
 The weight is lift up and put down again on 2 supports so highly that you can drive afterwards with the heading fork below the carrier.
 Now the carrier can be lift up to the desired position.

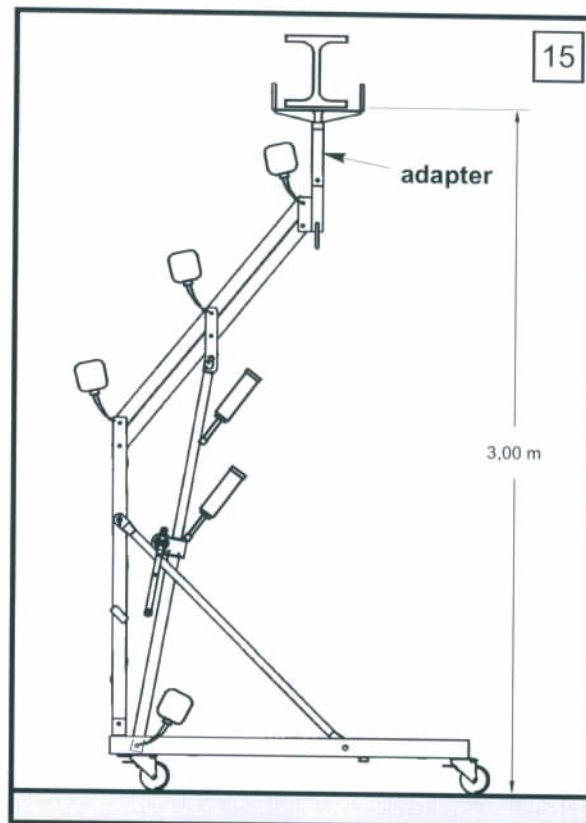
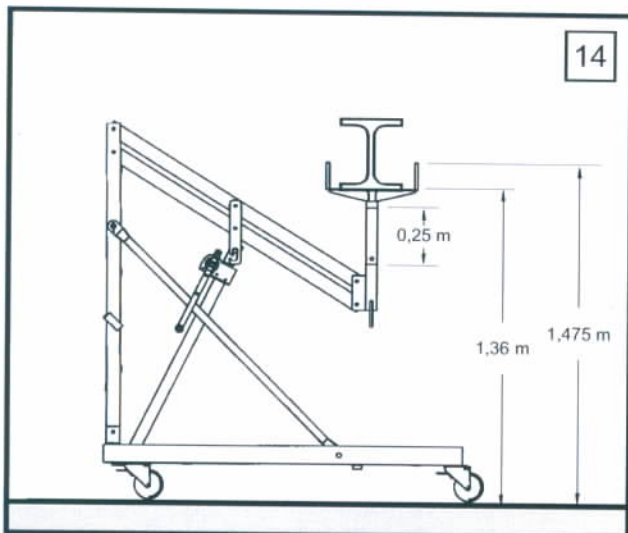


Putting down the weight takes place in reverse succession.



Lengthening with the adapter:

With the plug-on of the adapter, which is otherwise between the two pipes of the stand, it is possible to raise up the work height of the lifting jack by 0,25 m to 3,00 m.



Before each employment is to be considered:

Visual check of the lifting jack on complete assembly and functional test of the spindle transmission. Defective or worn parts must be changed.

Examine the spindle, the spindle transmission as well as the bearings for sufficient lubrication:

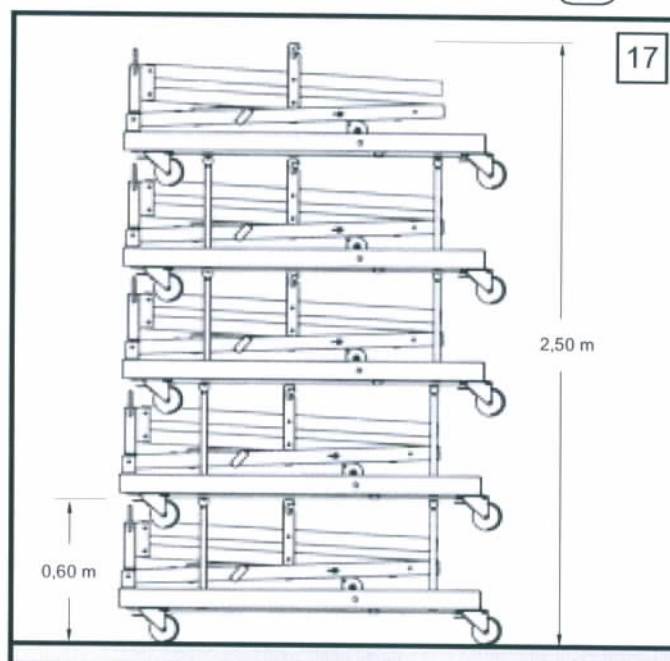
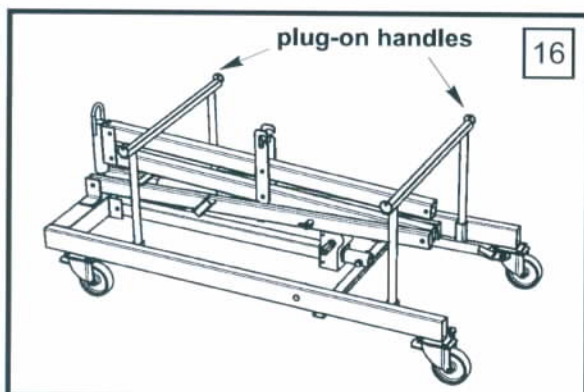
lubricants of the spindle as well as the spindle transmission with machine fat

oils of all bearings



The store of the lifting jacks:

In the folded up status several lifting jacks can be stacked with the help of the plug-on handles one above the other. Altogether max. 5 lifting jacks may be stacked one above the other.



Technical subject to change 06.05.2002

Müller & Baum Baugerätefabrik GmbH & Co.KG

Birkenweg 52 · 59846 Sundern (Hachen) · Postfach 2045 · 59837 Sundern (Hachen)

Telefon 02935/ 801-0 · Telefax 02935/ 801-50